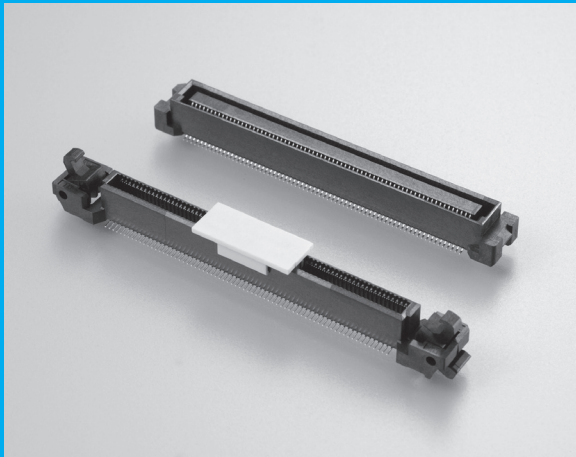


8602E SERIES

0.635mm PITCH CONNECTOR / EJECTOR TYPE

RoHS
Compliant



FEATURES

- ▶ Board-to-board connector including a locking mechanism for a mated connector.
- ▶ High reliable design with effective mating length of 1.4mm(0.055").
- ▶ Connectors with the Eject-Lock mechanism, allowing one-handed insertion and release.
- ▶ Three sizes : 60, 140 and 160 pins.
- ▶ Designed to prevent mis-insertion.
- ▶ Coplanarity of 0.1mm.
- ▶ Provided with or without a Pick & Place cap. (8630E)
- ▶ Stacked mating height of 8mm.

ORDER CODE

8602E - **S** - **P**

① ② ③ ④

*Please order in multiples of the quantity per package.

- ① **[Type] 8602E** : Receptacle, Ejector type
- ② **[Number of contacts] 060** : 60pin **140** : 140pin **160** : 160pin
- ③ **[Contact tail style] S** : Straight
- ④ **[Pick & Place cap] P** : With Pick&Place cap

ORDER CODE

8630E - **S** -

① ② ③ ④

*Please order in multiples of the quantity per package.

- ① **[Type] 8630E** : Plug
- ② **[Number of contacts] 060** : 60pin **140** : 140pin **160** : 160pin
- ③ **[Contact tail style] S** : Straight
- ④ **[Pick & Place cap] P** : With Pick&Place cap **No code** : Without Pick&Place cap

SPECIFICATIONS

Material and plating		Electrical characteristics	
Insulator material	Glass-filled LCP (UL94V-0), Black	Current rating	0.5A per contact
Contact material	Copper alloy	Contact resistance	50mΩ max.
Contact plating	Gold over Nickel	Dielectric withstanding voltage	200V AC for 1 minute
Lock material	Glass-filled LCP (UL94V-0),Black	Insulation resistance	100MΩ min. at 250V DC
Pick&Place cap material	Glass-filled Modified polyamide 6T (UL94V-0), [8602E] Beige [8630E]Off-white	Operating temperature	-40°C to +85°C

8602E Series Locking Ejector System

Unit : mm(inch)

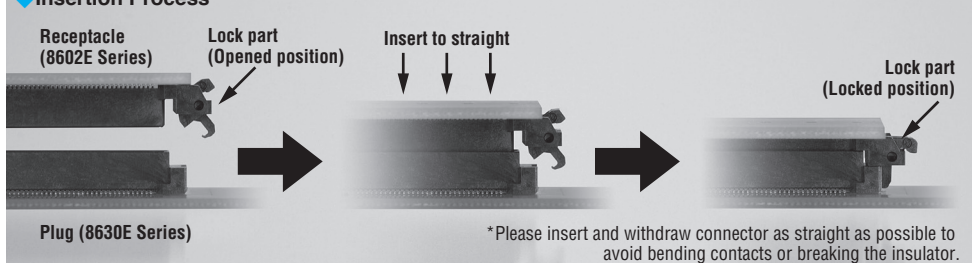
◆ Way to insert

Open the ejectors of 8602E Series and insert into 8630E Series until the latches fully engage.

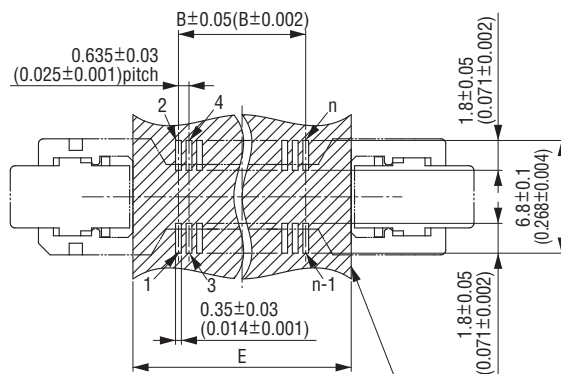
◆ Way to withdrawal

Press on both sides of the 8602E Series ejectors to release the connector from the 8630E Series.

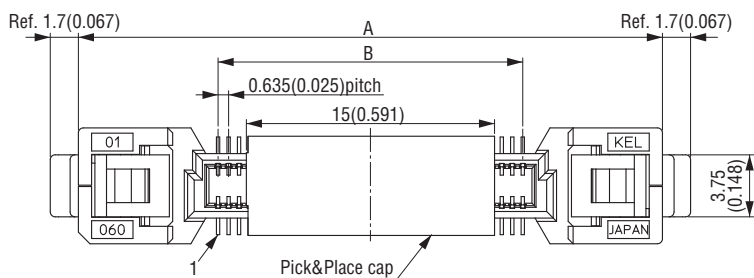
◆ Insertion Process



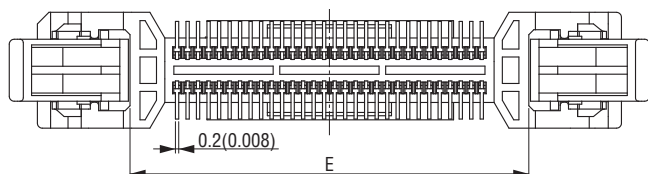
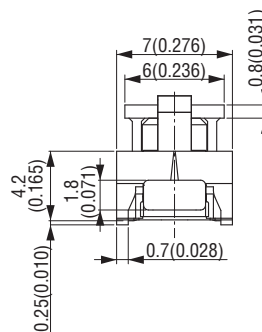
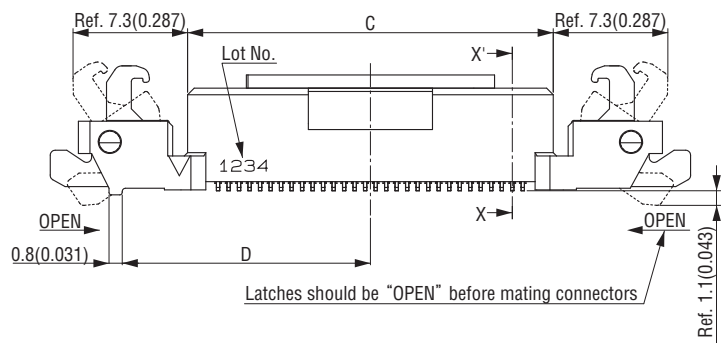
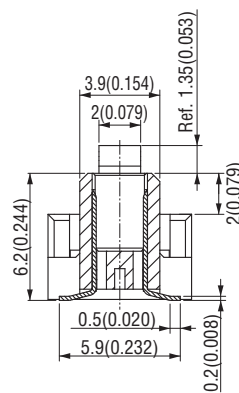
▶ Printed Circuit Board Layout (Component Side View)



*n is number of contact.



X-X' Cross section

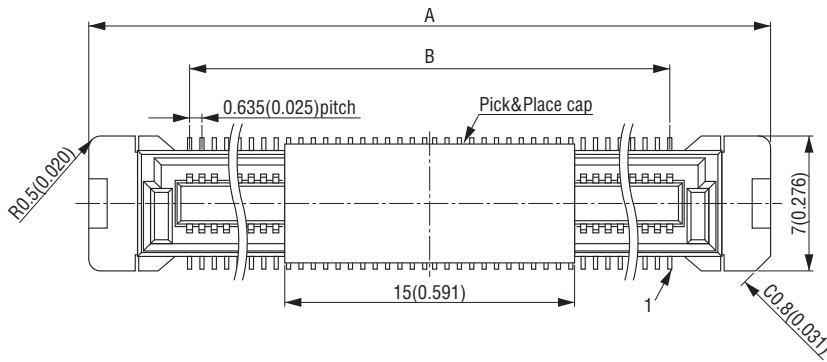
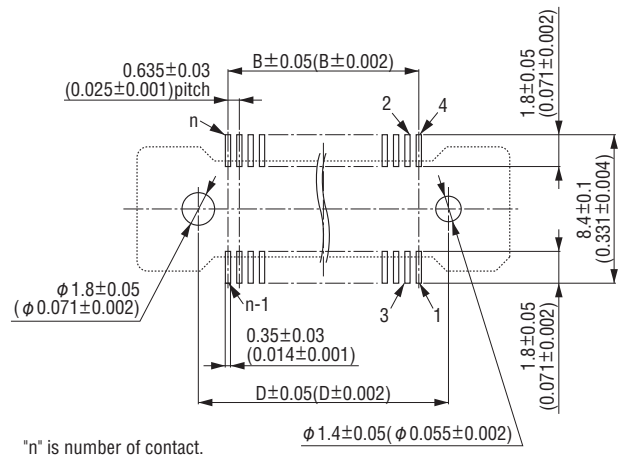
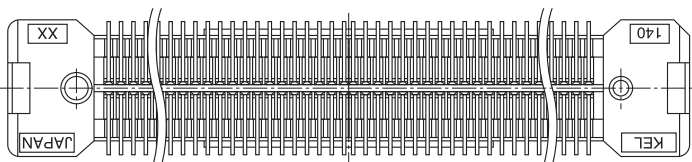
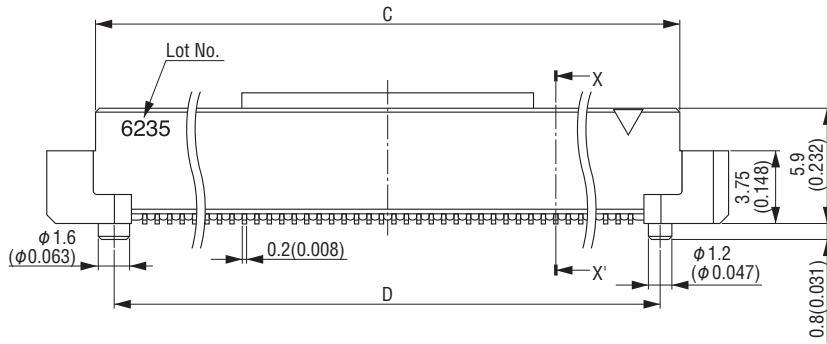
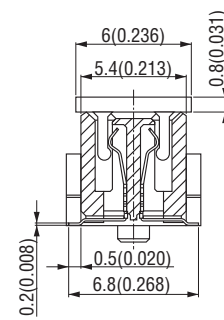


Packaging style

Tray

▶ Product table / Dimensions

No. of contacts	Part number	A	B	C	D	E	Number of packaging
60	8602E-060S-P	35.30 (1.390)	18.415 (0.725)	22.10 (0.870)	15.000 (0.591)	24.10 (0.949)	40
140	8602E-140S-P	60.70 (2.390)	43.815 (1.725)	47.50 (1.870)	27.700 (1.091)	49.50 (1.949)	30
160	8602E-160S-P	67.05 (2.640)	50.165 (1.975)	53.85 (2.120)	30.875 (1.216)	55.85 (2.199)	30

▶ Printed Circuit Board Layout (Component Side View)

X-X' Cross section


Packaging style

Tray

▶ Product table / Dimensions

No. of contacts	Part number	A	B	C	D	Number of packaging
60	8630E-060S-□	28.70 (1.130)	18.415 (0.725)	23.70 (0.933)	21.70 (0.854)	50
140	8630E-140S-□	54.10 (2.130)	43.815 (1.725)	49.10 (1.933)	47.10 (1.854)	30
160	8630E-160S-□	60.45 (2.380)	50.165 (1.975)	55.45 (2.183)	53.45 (2.104)	30